



The new way to stay safe on your stairs.

An introduction to the *new* UP Stair Lift.

AmeriGlide
ACCESSIBILITY SOLUTIONS

UP Stair Lift Features

Intercom

In case of an emergency, it is possible to reach our service desk with the push of a button.*

Foldable Seat

From comfort to a slim design with the foldable leather seat which is available in many different colors.

Automatic Swivel

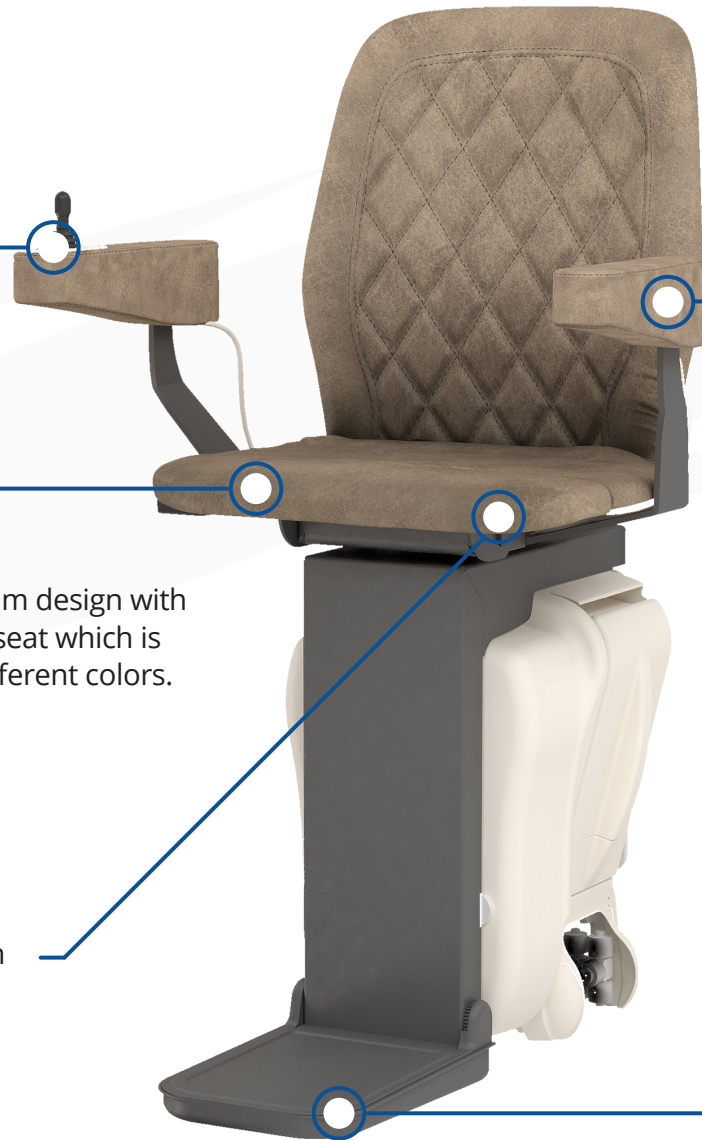
The seat is equipped with an automatic swivel function. This makes it easy to get on and off the seat.

Foldable Arm Rests

Space is important when purchasing a stair lift. The UP stair lift ensures a slim design because of the foldable arm rests.

Automatic Footrest

Besides folding automatically after every use, the footrest also ensures that the stair lift will stop when something blocks the stair lift (ie. toy or purse on stairs.)



*Option available by choosing the annual service option.



Made with Recycled Aluminum

Today's products need to be future proof. UP stair lift's unique rail system consists of only 2 parts. These parts are fully reusable and can be converted to any shape.

The rail is made from aluminum produced with machines running on renewable energy. Aluminum is a durable, lightweight and sustainable material. The characteristics of aluminum ensure that the rail will last for generations.

No use of heavy chemicals. Another environmental benefit of using aluminum is the fact that it doesn't corrode. Most rails require a powder coating to slow down the corroding process of the Rail. As the UP rail uses aluminum, a harmful process for our ecosystem is avoided.

Color Options

The UP Stair Lift can be customized to fit your style. Below are the color options available for the UP stair lift.



Unique Features



Quick Installation

Quick installation and adjustments are possible thanks to the modular rail and patented curved sections. Within a few hours the entire stair lift can be installed.



Easy Relocation

The stair lift can be easily relocated. All parts of the rail can easily be converted to a new shape and can if necessary, without any problems, be combined with new rail elements. So, if you need to move house, you can take the stair lift with you!



Recyclable Material

UP stair lifts are 100% recyclable and reusable! This eliminates the amount of product going into the trash every year.



Fits Both Curved and Straight Staircases

Because of the modular construction, the UP stair lift can fit both curved and straight staircases. On a curved staircase, the stair lift can be placed on the inside or outside.



All in One Package

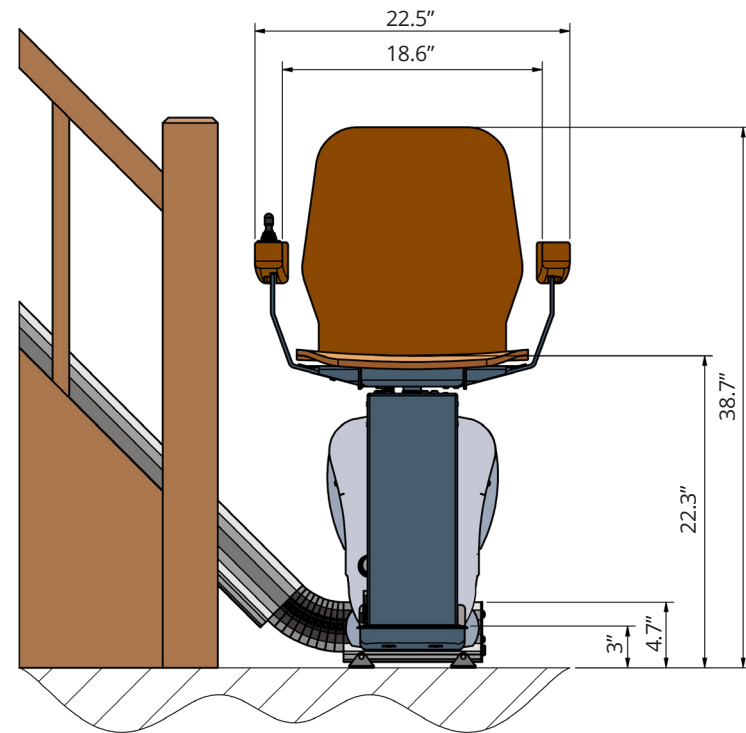
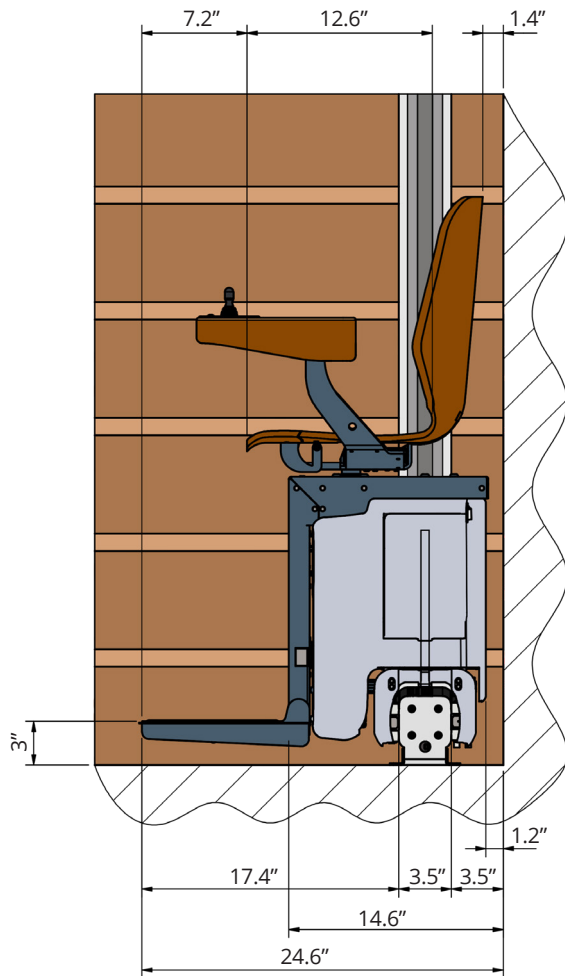
Other stair lift suppliers offer rail lighting, automatic swivel seats and foot plates as an option. For us, this is a standard on the UP stair lift. In addition, you will get a stylish seat with different color options to choose from.



Remote Service

The stair lift is able to report the maintenance status and any problems via the integrated Wi-Fi connection. This means that most difficulties can be solved remotely.

UP Stair Lift Specifications



Motor Output Speed

29.5 ft / min

Method of Drive

Rack and Pinion

Power Input

24V DC (battery)

Max Weight

275lbs.

Rail

Modular rail,
extruded aluminum,
casted aluminum

Power Supply

50-60Hz, 90-240V AC

Rail Options



Horizontal

When you want to keep space on the stairs, it is possible to park the stair lift further from the stairs by using the horizontal end piece.



Hinge Rail

If the other options are taking up too much space, you can choose the option for a hinge rail. The hinge rail folds automatically after use.



Drop Nose

The drop nose end piece ensures a compact rail because it is running down steeply.



180° Parking Curve

With the 180° parking curve, the stair lift will be able to park itself alongside the stairs, or behind a wall. A convenient feature to save space.



90° Parking Curve

Due to the modular rail parts, curves can be made easily. With the 90° parking curve the stair lift will be parked next to the stairs.

